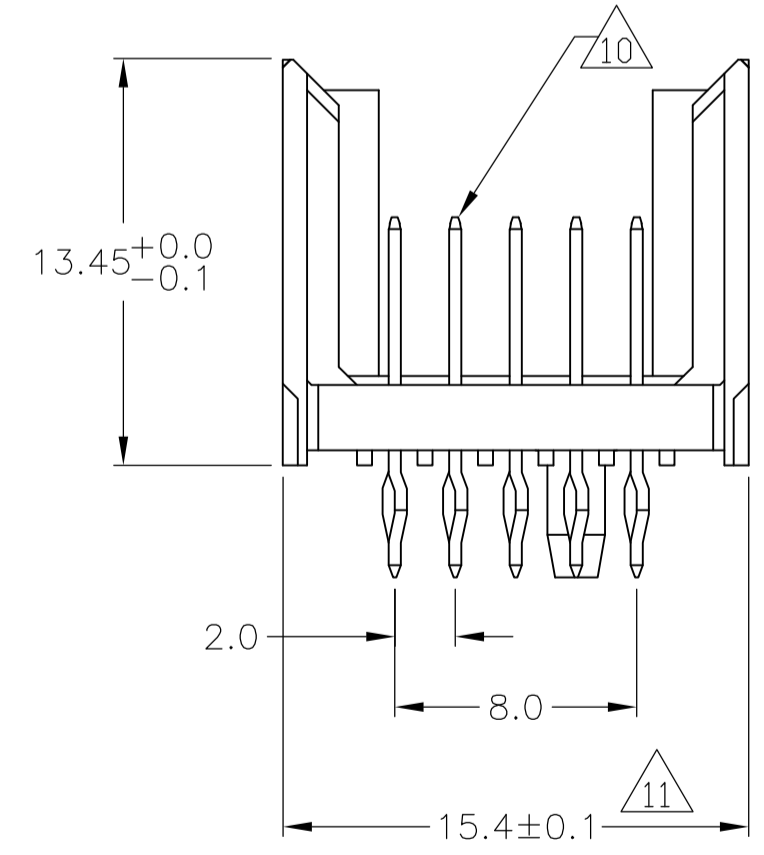
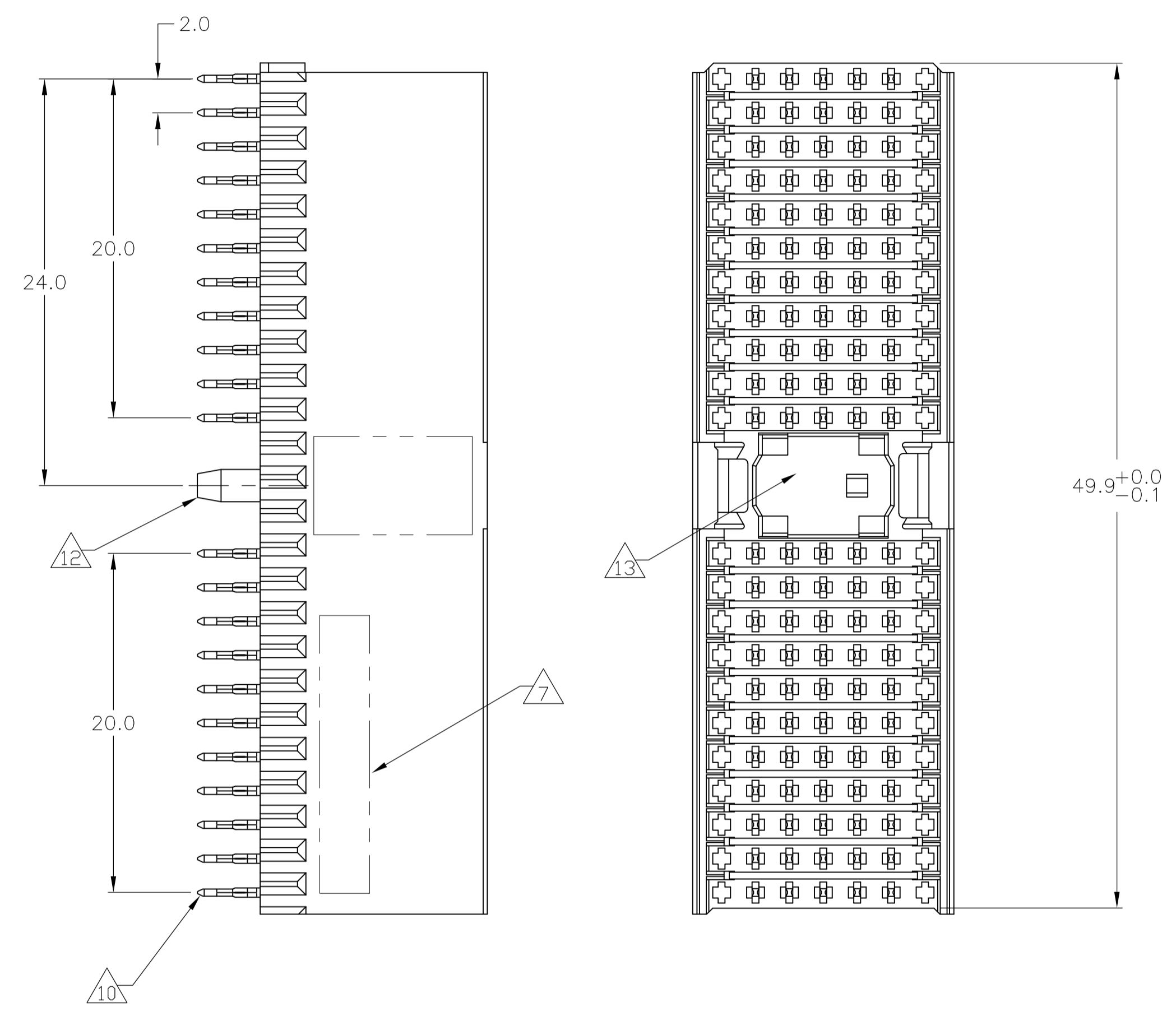
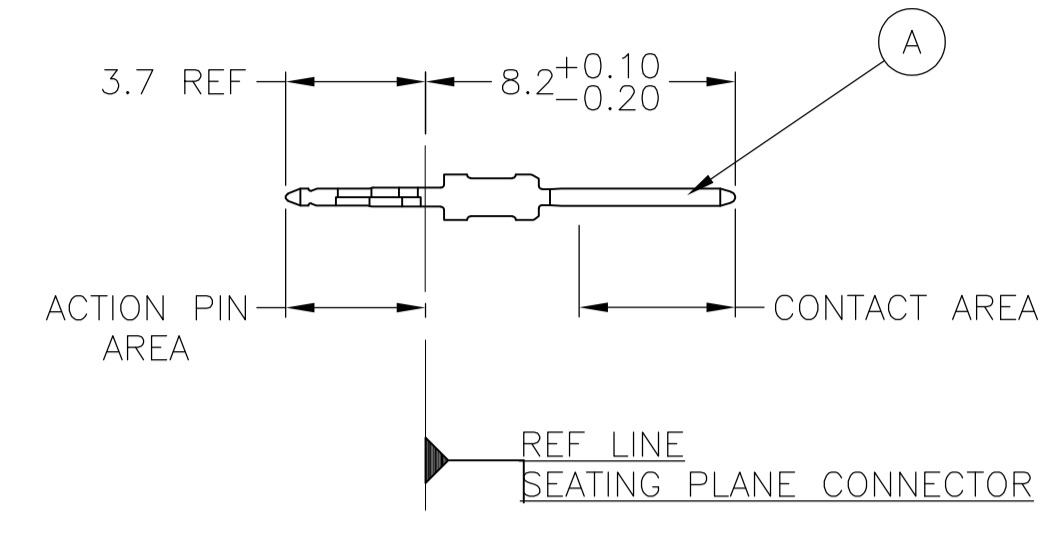


### CONNECTOR ASSEMBLY EXAMPLARY LOADED $\triangle 6$

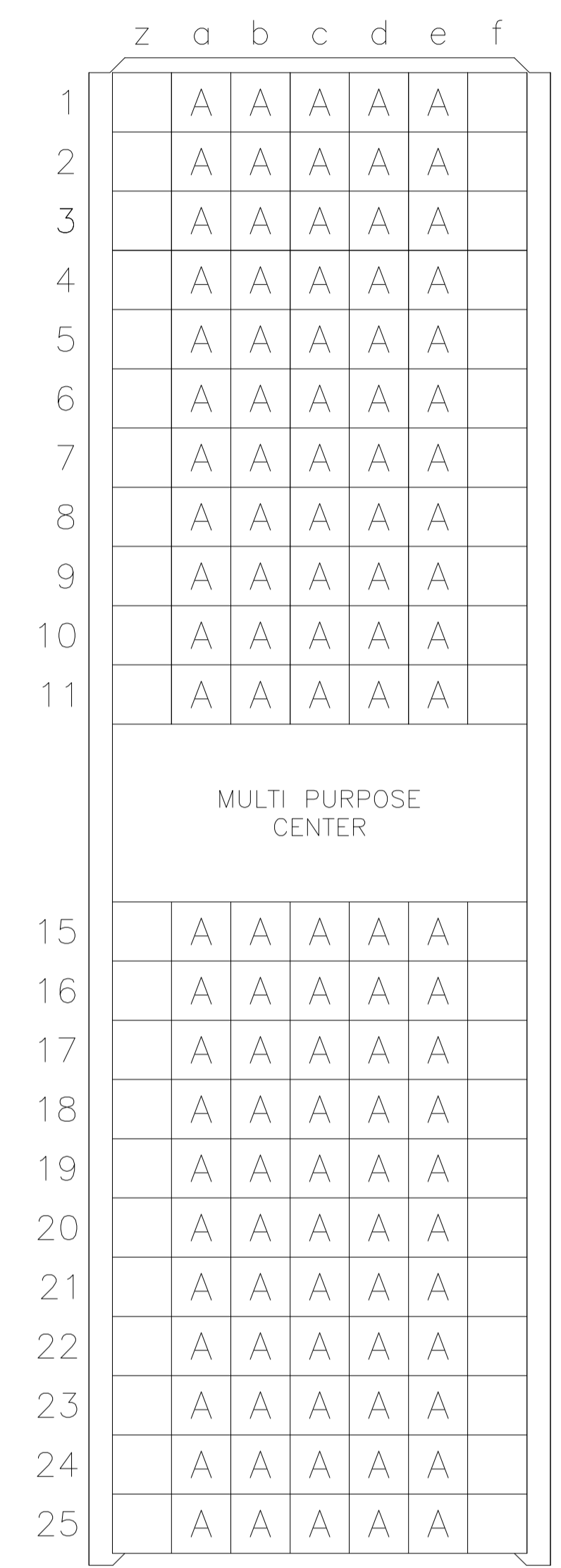


### CONTACT DIMENSIONS

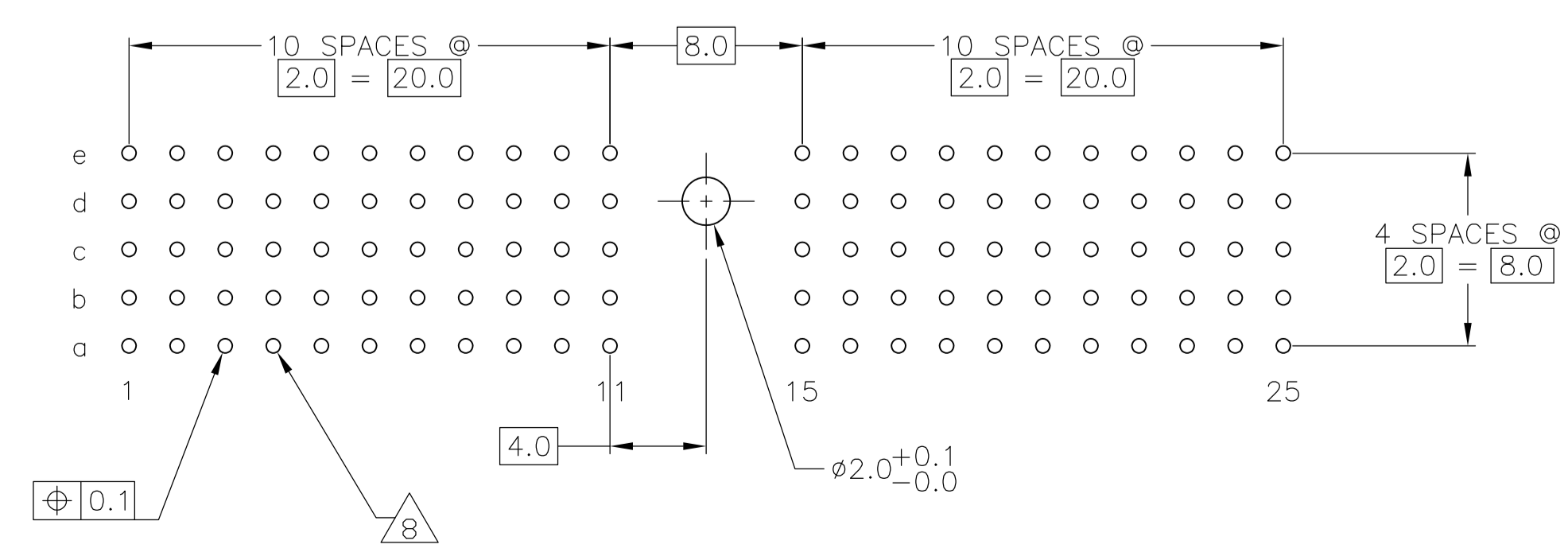
SCALE 5:1



### CONTACT LAYOUT



### RECOMMENDED PCB-HOLE LAYOUT COMPONENT SIDE SHOWN



### PLATED THRU HOLES PARAMETERS

REFERENCE APPLICATION SPECIFICATION


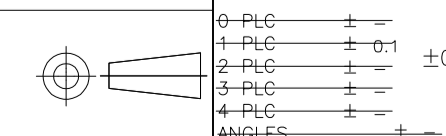
$\triangle 2$	$\triangle 3$	$\triangle 16$	3-5100143-0
$\triangle 2$	$\triangle 6$	$\triangle 14$	1-5100143-9
$\triangle 2$	$\triangle 5$	$\triangle 14$	5100143-9
$\triangle 2$	$\triangle 4$		5100143-4
$\triangle 2$	$\triangle 3$		5100143-1
OBSOLETE			
FINISH			PART NUMBER

THIS DRAWING IS A CONTROLLED DOCUMENT.

DIMENSIONS: mm	TOLERANCES UNLESS OTHERWISE SPECIFIED:	DIN B CARBO 24JAN05	24JAN05	24JAN05
$\phi$ - PLE	$\pm$	APVD G SKIPPER	24JAN05	NAME
1 - PLE	$\pm 0.1$	PRODUCT SPEC		MALE ASSEMBLY, Z-PACK 2mm HM, TYPE A
2 - PLE	$\pm$	APPLICATION SPEC		108-19082
3 - PLE	$\pm 0.2$	114-19029		SIZE
4 - PLE	$\pm$	WEIGHT		A1
ANGLES	$\pm$	CUSTOMER DRAWING		SCALE 4:1
MATERIAL	FINISH SEE TABLE	RESTRICTED TO		SHEET 1 OF 2
$\triangle 1$				REV F

LOC		DIST		REVISIONS				
AD	00	REV	DATE	DESCRIPTION	DATE	BY	APPV	
-	-	-	-	SEE SHEET 1	-	-	-	

- 1 MATERIAL:  
CONTACT: PHOSPHOR BRONZE.  
HOUSING: GLASS-FILLED POLYESTER.
- 2 GENERAL PLATING SPECIFICATION: UNDERPLATING  
(ENTIRE CONTACT): 1.27µm MIN NICKEL AND ACTION  
PIN: 0.5µm MIN TIN.  
FOR PLATING OF MATING SURFACES SEE APPLICABLE  
SPECIFICATION REFERENCE FOR EACH DASH NUMBER.
- 3 CONFORMS TO ALL TESTING ACCORDING TO IEC 61076-4-101  
PERFORMANCE LEVEL 2.
- 4 CONFORMS TO ALL TESTING ACCORDING TO IEC 61076-4-101  
PERFORMANCE LEVEL 1.
- 5 CONNECTOR TESTED AND QUALIFIED AGAINST TELCORDIA GR-1217-CORE QUALITY LEVEL 3,  
CENTRAL OFFICE APPLICATIONS.
- 6 CONNECTOR TESTED AND QUALIFIED AGAINST TELCORDIA GR-1217-CORE QUALITY LEVEL 3,  
UNCONTROLLED ENVIROMENT APPLICATIONS.
- 7 CONNECTOR MARKED WITH PART NUMBER AND DATE CODE.  
ADDITIONAL CHARACTERS OR MARKINGS, AS WELL AS THE LOCATION OF THE MARKINGS,  
MAY BE ADDED FOR TRACEABILITY BASED UPON MANUFACTURERS DISCRETION.
- 8 PLATED-THROUGH HOLES AT 2x2mm SQUARE GRID  
PATTERN DEFINED BY CONTACT LAYOUT.
- 9 FOR ACTUAL PIN LOADING SEE "CONTACT LAYOUT".
- 10 FOR ACTUAL PIN DIMENSIONS SEE "CONTACT DIMENSIONS".
- 11 TO BE MEASURED AT BOTTOM OF SHROUD.
- 12 POLARIZATION FEATURE.
- 13 AREA RESERVED FOR KEYING PART (BASIC P/N 100525).
- 14 CONNECTOR LUBRICATED WITH BELCORE APPROVED LUBRICANT,  
TECHNICAL REFERENCE: TR-NWT-001217 ISSUE 1, SEP 1992.
- 15 OBSOLETE PARTS: OBSOLETE CIS STREAMLINING PER D.RENAUD/D.SINISI
- 16 0.76µm MIN. GOLD PLATING AT MATING SURFACES.

THIS DRAWING IS A CONTROLLED DOCUMENT.		DIN B CARBO 24JAN05		 TE Connectivity	
DIMENSIONS: mm		TOLERANCES UNLESS OTHERWISE SPECIFIED: ±0.2			
		GSKIPPER 24JAN05 GSKIPPER 24JAN05 PRODUCT SPEC		NAME	
MATERIAL SEE SHEET 1		FINISH SEE SHEET 1		MALE ASSEMBLY, Z-PACK 2mm HM, TYPE A	
0-PLC ± 1-PLC ±0.1 2-PLC ± 3-PLC ± 4-PLC ± ANGLES ±		108-19082 APPLICATION SPEC 114-19029		SIZE CAGE CODE DRAWING NO A1 00779 C=5100143	
CUSTOMER DRAWING		SCALE 4:1		SHEET 2 OF 2 REV F	